

## Condair Vita Nebulizers

### SPARE PARTS / PIÈCES DE RECHANGE

Subject to change! / Modifications réservées!

#### Nebulizer Vita Sky S / Nébuliseur Vita Sky S

Pos.	Article Article	Completion Complément	Sky S		Art. No. Art. No.
			0.9 l/h	1.5 l/h	
101	Spray head housing S Boîtier tête de vaporisation S		1	1	2615805
102	Cover spray head S Couvercle de tête de vaporisation S		1	1	2615806
103	Grommet spray head Douille tête de vaporisation		1	1	2615807
104	Axial fan 40x40x20 Ventilateur axial 40x40x20		1	1	2615808
105	2/2-way solenoid valve DN0.3 HP 24 V Électrovanne 2/2 voies DN0.3 HP 24 V		1	1	2615809
106	Valve prefilter G1/8" x 1/8" AG Préfiltre de vanne G1/8" x 1/8" AG		1	1	2615810
107	Nozzle sealing VA 1/8" (4 pcs) Joint de buse VA 1/8" (4 pcs)		2	2	2615889
108	Nozzle Buse	Diva S	1		2615812
		Diva M		1	2615813
109	Power supply socket 24V 2.1x5.5 straight Prise d'alimentation 24 V 2.1 x 5.5 droite		1	1	2615814
110	Spray head cable 24 VDC Câble de tête de vaporisation 24 V CC		1	1	2606199
111	High pressure hose spray head Tuyau haute pression pour tête de vaporisation		1	1	2615816

## Nebulizer Vita Sky M1 / Nébuliseur Vita Sky M1

Pos.	Article Article	Completion Complément	Sky M1			Art. No. Art. No.
			2.5 l/h Ring	1.5 l/h String	2.5 l/h String	
201	Spray head housing M Boîtier tête de vaporisation M		1	1	1	2615819
202	Cover single spray head M - ring line Couvercle de tête de vaporisation simple M - ligne en anneau		1			2615820
203	Cover single spray head medium - stringline Couvercle de tête de vaporisation simple moyen - ligne de branchement			1	1	2615821
204	Grommet spray head Douille tête de vaporisation		1	1	1	2615807
205	Axial fan 60x60x25 24 V Ventilateur axial 60x60x25 24 V		1	1	1	2615822
206	2/2-way solenoid valve DN0.3 HP 24 V Électrovanne 2/2 voies DN0.3 HP 24 V		1			2615809
207	Valve prefilter G1/8" x 1/8" AG Préfiltre de vanne G1/8" x 1/8" AG		1			2615810
208	Nozzle sealing VA 1/8" (4 pcs) Joint de buse VA 1/8" (4 pcs)		3			2615889
209	Nozzle Diva L Buse Diva L		1			2615823
210	Nozzle Buse	Multitech 1.5		1		2615824
		Multitech 2.5			1	2615825
211	Nozzle adapter - ring line Adaptateur de buse - ligne en anneau		1			2615826
212	Nozzle adapter - stringline Adaptateur de buse - ligne de branchement			1	1	2615827
213	Düsenabstandshalter Edelstahl (16 mm) Nozzle spacer stainless steel (16 mm) Entretoise de buse en acier inoxydable (16 mm)			1		2615828
214	Power supply socket 24V 2.1x5.5 straight Prise d'alimentation 24 V 2.1 x 5.5 droite		1	1	1	2615814
215	Spray head cable 24 VDC Câble de tête de vaporisation 24 V CC		1	1	1	2606199
216	High pressure hose spray head Tuyau haute pression pour tête de vaporisation		1	1	1	2615816

## Nebulizer Vita Sky M2 / Nébuliseur Vita Sky M2

Pos.	Article Article	Completion Complément	Sky M2			Art. No. Art. No.
			5 l/h Ring	3 l/h String	5 l/h String	
301	Spray head housing M Boîtier tête de vaporisation M		1	1	1	2615819
302	Cover double spray head M - ring line Couvercle de tête de vaporisation double M - ligne en anneau		1			2615829
303	Cover double spray head medium - stringline Couvercle de tête de vaporisation double moyen - ligne de branchement			1	1	2615830
304	Grommet spray head Douille tête de vaporisation		1	1	1	2615807
305	Axial fan 60x60x25 24 V Ventilateur axial 60x60x25 24 V		1	1	1	2615822
306	2/2-way solenoid valve DN0.3 HP 24 V Électrovanne 2/2 voies DN0.3 HP 24 V		1			2615809
307	Valve prefilter G1/8" x 1/8" AG Préfiltre de vanne G1/8" x 1/8" AG		1			2615810
308	Nozzle sealing VA 1/8" (4 pcs) Joint de buse VA 1/8" (4 pcs)		3			2615889
309	Nozzle Diva L Buse Diva L		2			2615823
310	Nozzle Buse	Multitech 1.5		2		2615824
		Multitech 2.5			2	2615825
311	Y distributor spray head M Distributeur en Y tête de vaporisation M		1			2615831
312	Double nipple V4A 1/8" Raccord double V4A 1/8"		1			2615833
313	Nozzle Y-adapter Adaptateur de buse en Y			1	1	2615832
314	Nozzle spacer stainless steel (16 mm) Entretoise de buse en acier inoxydable (16 mm)			1		2615828
315	Power supply socket 24V 2.1x5.5 straight Prise d'alimentation 24 V 2.1 x 5.5 droite		1	1	1	2615814
316	Spray head cable 24 VDC Câble de tête de vaporisation 24 V CC		1	1	1	2606199
317	High pressure hose spray head Tuyau haute pression pour tête de vaporisation		1	1	1	2615816

## Manifold Block Vita Sky T1/T2 / Bloc distribution Vita Sky T1/T2

Pos.	Article Article	Completion Complément	T1/T2	Art. No. Art. No.
401	Wall bracket assembly Ensemble du support mural		1	2607881
402	2-Way 2.1 mm DC barrel jack splitter Répartiteur d'alimentation prise creux CC 2 voies, 2.1 mm		1	2615835
403	Measuring connection M16x2 one-piece Raccord de mesure M16x2 monobloc		2	2615836
404	Straight screw-in fitting 6L / G1/4" Raccord à visser droit 6L / G1/4"		1	2615887
405	Grommet PVC Douille PVC		3	2615837
406	Manifold block Sky T Bloc de distribution Sky T		1	2615838

## Nebulizer Vita Stream / Nébuliseur Vita Stream

Pos.	Article Article	Completion Complément	Vita Stream				Art. No. Art. No.
			20 l/h Ring	36 l/h Ring	20 l/h String	36 l/h String	
501	Fan ø133 Ventilateur ø133	115 V	1	1	1	1	2615858
502	Nozzle Diva L Buse Diva L		8		8		2615823
503	Nozzle Buse	Multitech 2.5	8		8		2615825
		Multitech 4.5		8		8	2615860
504	Swivel adapter for Multitech nozzle, stainless steel Adaptateur pivotant pour buse Multitech, acier inoxydable		x	x	x	x	2614890
505	Expansion piece for nozzels Pièce d'extension pour buses		x	x	x	x	2616004
506	Blind nozzle Pièce d'extension pour buses		x	x	x	x	2614885
507	Nozzle sealing VA 1/8" (4 pcs) Joint de buse VA 1/8" (4 pcs)		8		8		2615889
508	Adapter for diva nozzle Adaptateur pour buse Diva		8		8		2615890
509	O-ring 6x1 (4 pcs) Joint torique 6x1 (4 pcs)		8		8		2616005
510	2/2-way solenoid valve NC 1/4" Électrovanne 2/2 voies NC 1/4"	115 V	1	1			2615863
511	Pressure ring square Anneau de pression carré		1	1	1	1	2615865
512	Connecting hose 174 mm Tuyau de raccordement 174 mm		1	1	1	1	2615866
513	High pressure hose DN4 Tuyau haute pression DN4		1	1	1	1	2615867
514	Capacitor 2 uF, 470 VAC Condensateur 2 uF, 470 VAC	115 V	1	1	1	1	2615868
515	Supply cable - 287 mm Câble d'alimentation - 287 mm		1	1	1	1	2615870
516	Valve plug cable - 300 mm Câble de prise de vanne - 300 mm		1	1	1	1	2615871
517	Capacitor cable - 300 mm Câble de condensateur - 300 mm		1	1	1	1	2615872
518	Terminal clamp 4 poles Borne de raccordement 4 pôles		1	1	1	1	2615873
519	Socket clamp D8 Socle d'attache D8		8	8	8	8	2615874
520	Filter 20 µm Filtre 20 µm		1	1	1	1	2615902
521	Filter 20 µm cpl. Filtre 20 µm cpl.		1	1	1	1	2615903
522	Elbow fitting 6L-G1/8" Raccord coudé 6L-G1/8"		1	1	1	1	2615906

## Nebulizer Vita Line / Nébuliseur Vita Line

Pos.	Article Article	Completion Complément		Art. No. Art. No.
601	Nozzle Buse	Multitech 1.5	x	2615824
		Multitech 2.5	x	2615825
		Multitech 4.5	x	2615860
		Multitech 6.5	x	2615875
602	Swivel adapter for Multitech nozzle, stainless steel Adaptateur pivotant pour buse Multitech, acier inoxydable		x	2615861
603	Blind nozzle Pièce d'extension pour buses		x	2615862
604	T-piece for 2 nozzles with hose connection Raccord en T pour 2 buses avec raccord de tuyau		x	2614988
605	T-piece for 2 nozzles Raccord en T pour 2 buses		x	2614481
606	T-piece for 1 nozzle Raccord en T pour 1 buse		x	2613149
607	End piece for 2 nozzles Embout pour 2 buses		x	2613116
608	Pipe connection piece Pièce de raccordement de tube		x	2613147
609	Hose connection piece Pièce de raccordement de tuyau		x	2613148
610	Standard pipe Tube standard	0.25 m	x	2613306
		0.5 m	x	2613307
		0.75 m	x	2613308
		1.0 m	x	2613309
		2.0 m	x	2613310
611	O-ring to standard pipe Joint torique pour tube standard		x	2615052
612	Wall suspension for system cpl. Suspension murale pour système cpl.		x	2615056
613	Ceiling suspension for system cpl. Suspension de plafond pour système cpl.		x	2615057

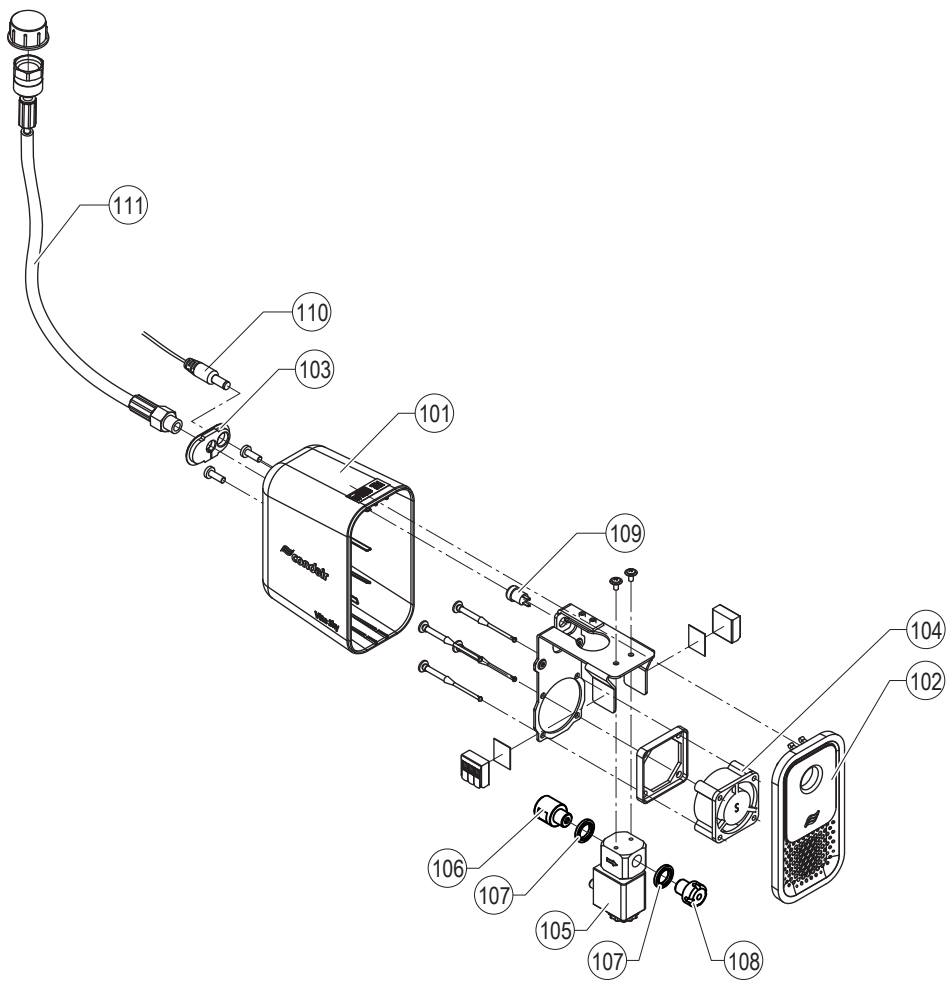
## Supports Vita Sky nebulizers / Supports de nébuliseurs Vita Sky

Pos.	Article Article	Completion Complément		Art. No. Art. No.
701	Spray head wall bracket Support mural pour tête de vaporisation		x	2607868
702	Spray head ceiling hanger Support de plafond pour tête de vaporisation		x	2607671
703	Spray head ceiling hanger Premium Support de plafond Premium pour tête de vaporisation		x	2607823

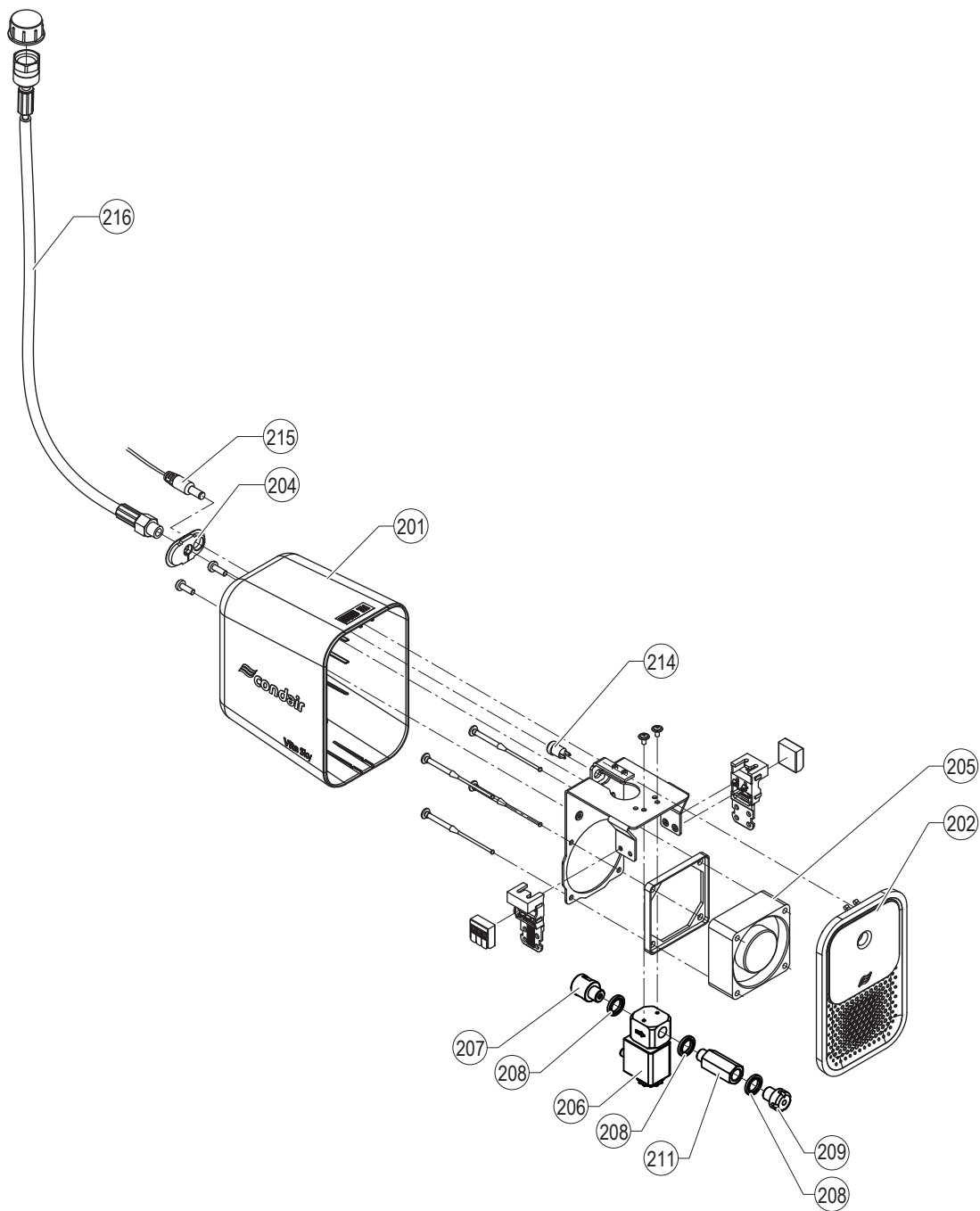
## Zone valves / Vannes de zone

Pos.	Article Article	Completion Complément	0 - 76 l	60 - 360 l	120 - 1800 l	Art. No. Art. No.
800	Coil 24V-DC-18W-IP67 Bobine 24V-DC-18W-IP67		1	1	1	2616141
801	Coil cable 24V Cable de bobine 24V		1	1	1	2616142
802	3/2 high pressure valve - small flows Vanne haute pression 3/2 voie - petits débits		1			2616164
803	Armature kit NC Kit d'armature NF		1	1	1	2616168
804	Armature kit NO Kit d'armature NO		1	1	1	2616169
805	Orifice kit 4 VDHT 2E 1.4 Kit d'orifice 4 VDHT 2E 1.4		1			2616170
806	Piston kit, VDHT D 18.1 Kit piston, VDHT D 18.1			1	1	2616171
807	Orifice kit 1 VDHT 1.0 Kit d'orifice 1 VDHT 1.0			1	1	2616172
808	Sealing kit VDHT Kit d'étanchéité VDHT				1	2616173
809	High pressure ball valve 10 l Vanne à boisseau sphérique haute pression 10 l		1	1	1	2616143
810	Screw-in filter G1/4" 80 µm Filtre à visser G1/4" 80 µm		1			2613996
811	Filter mesh adaptor G1/4" Adaptateur de maille de filtre G1/4"		1			2613995
812	JG drain adapter set Kit adaptateur de vidange JG		1		1	2617007
813	Cartridge check valve Clapet anti-retour à cartouche		1	1	1	2606525
814	3/2 high pressure valve - medium flows Vanne haute pression 3/2 voie - débits moyens			1		2616165
815	Screw-in connector BSP D10-3/8" Raccord à visser BSP D10-3/8"			1		2616144
816	Elbow Reducer Réducteur de coude			1		2616145
817	Bottom for filter holder Fond pour porte-filtre			1	1	2616146
818	Union nut KW24x14.5 Écrou-raccord KW24x14.5			1	1	2616147
819	Housing for filter 3/8" HP Boîtier pour filtre 3/8" HP			1	1	2616148
820	Filter holder long Porte-filtre long			1	1	2616151
821	O-ring ø13.5 x ø2.5 Joint torique ø13.5 x ø2.5			1	1	2615902
822	2/2 way high pressure NC valve G3/8" Vanne haute pression NF 2/2 voie G3/8"				1	2616166
823	2/2 way high pressure NO valve G3/8" Vanne haute pression N= 2/2 voie G3/8"				1	2616167
824	Custom cone screw connection L12 3-8 Raccord à vis conique spécial L12 3-8			1	1	2617038
825	Custom straight screw-in connection L8 3-8 Raccord à vis droit spécial L8 3-8			1		2617039

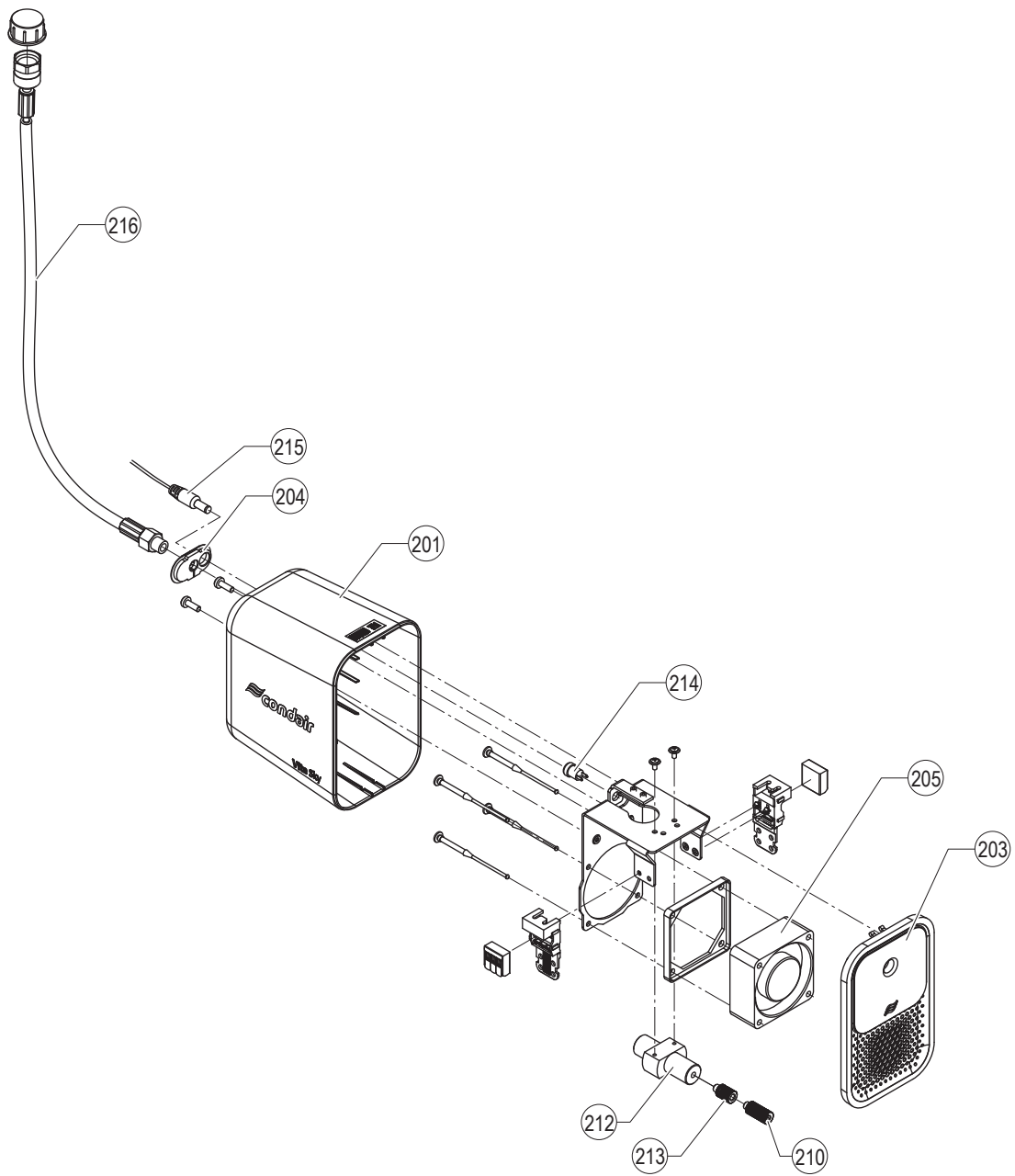
# Condair Vita Sky S



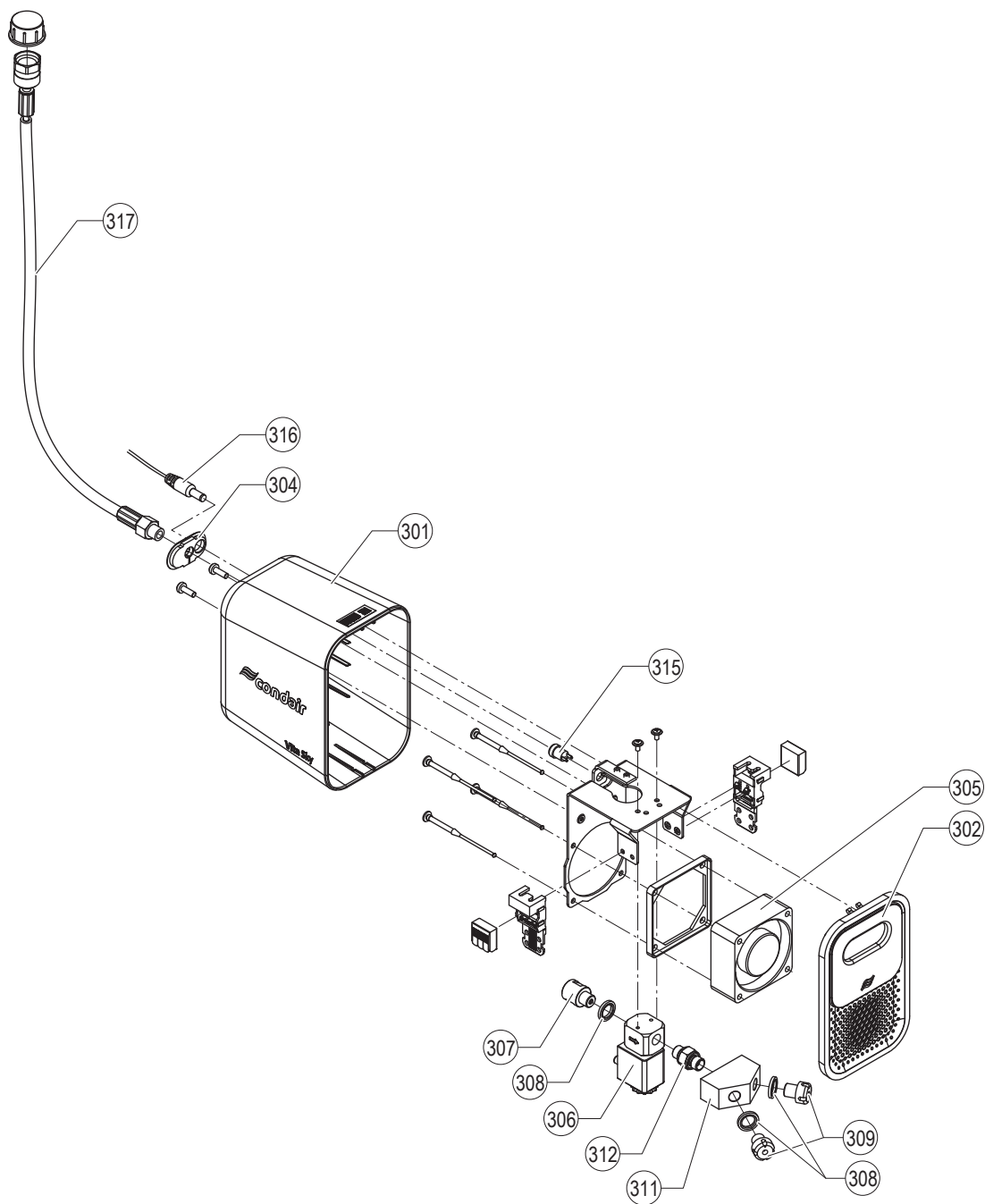
Condair Vita Sky M1 ringline / Condair Vita Sky M1 conduite circulaire



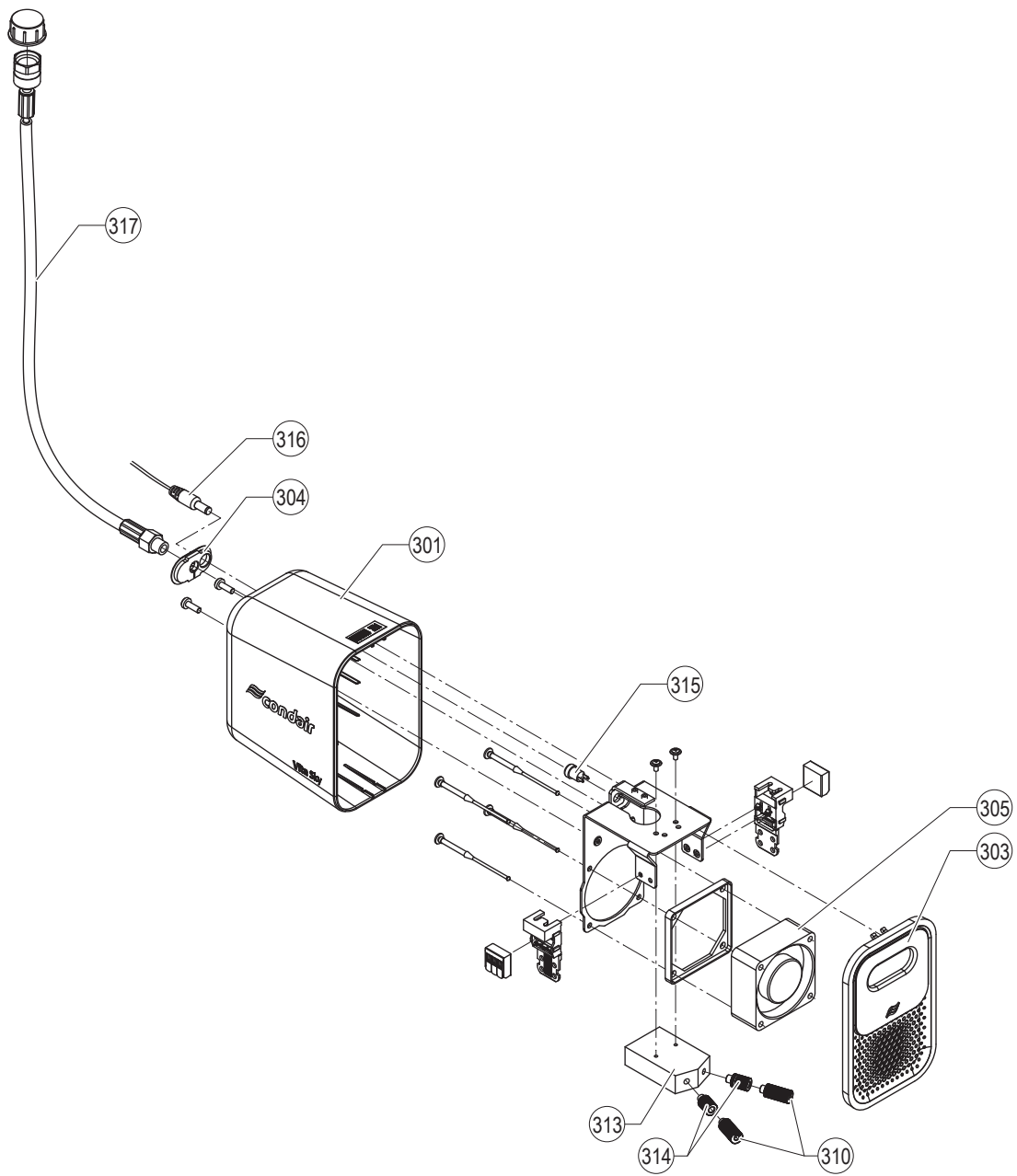
Condair Vita Sky M1 stringline / Condair Vita Sky M1 conduite de bras



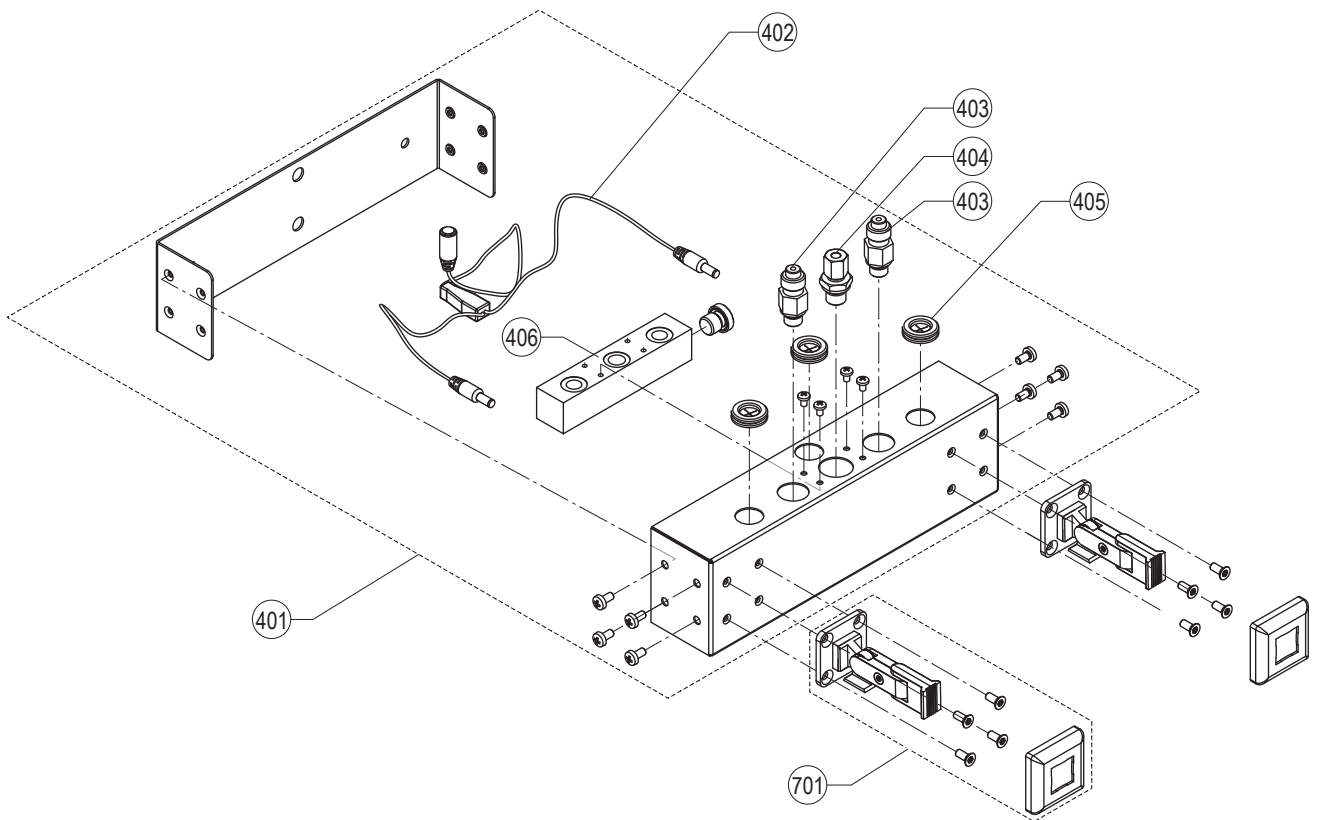
# Condair Vita Sky M2 ringline / Condair Vita Sky M2 conduite circulaire



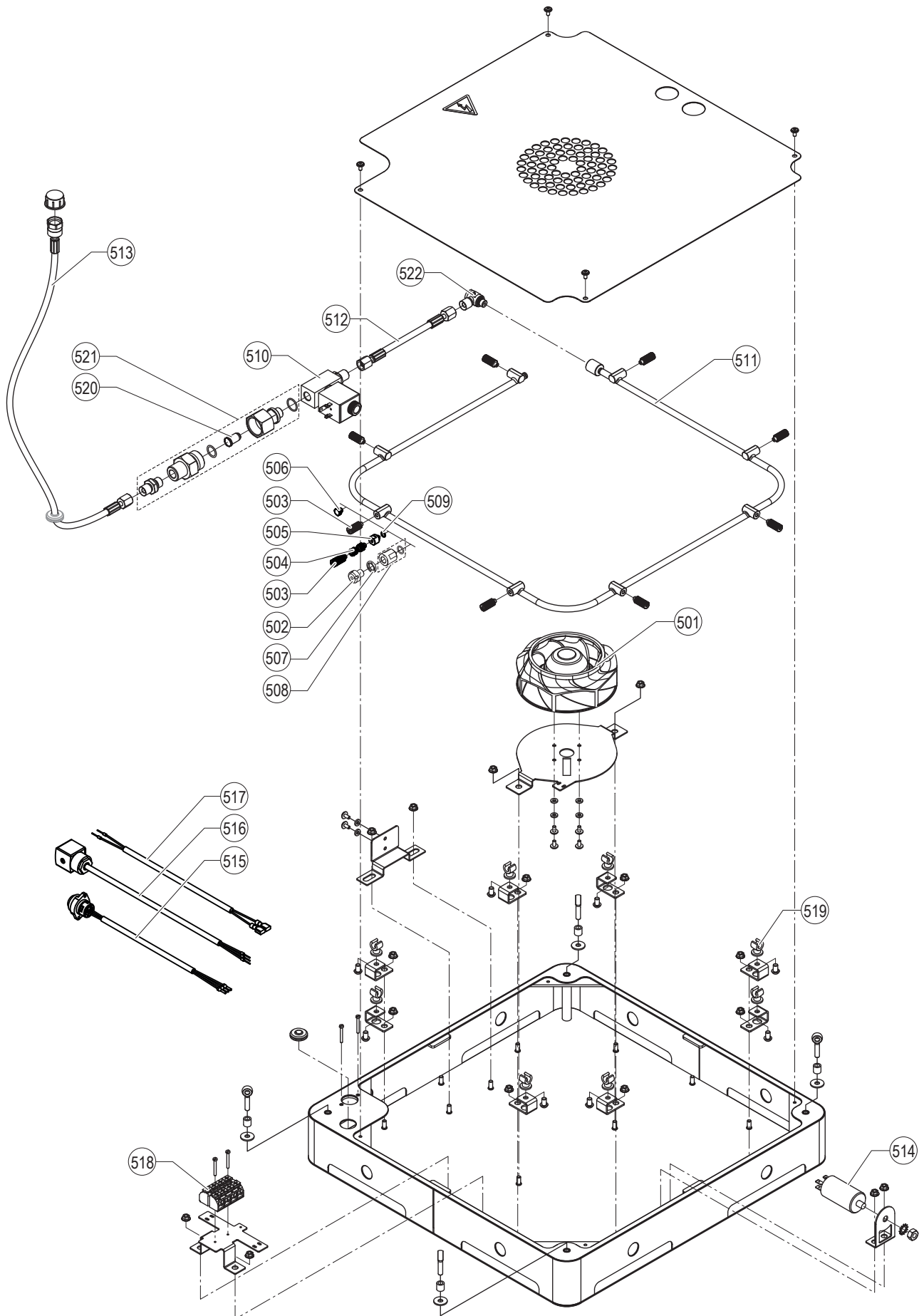
Condair Vita Sky M2 stringline / Condair Vita Sky M2 conduite de bras



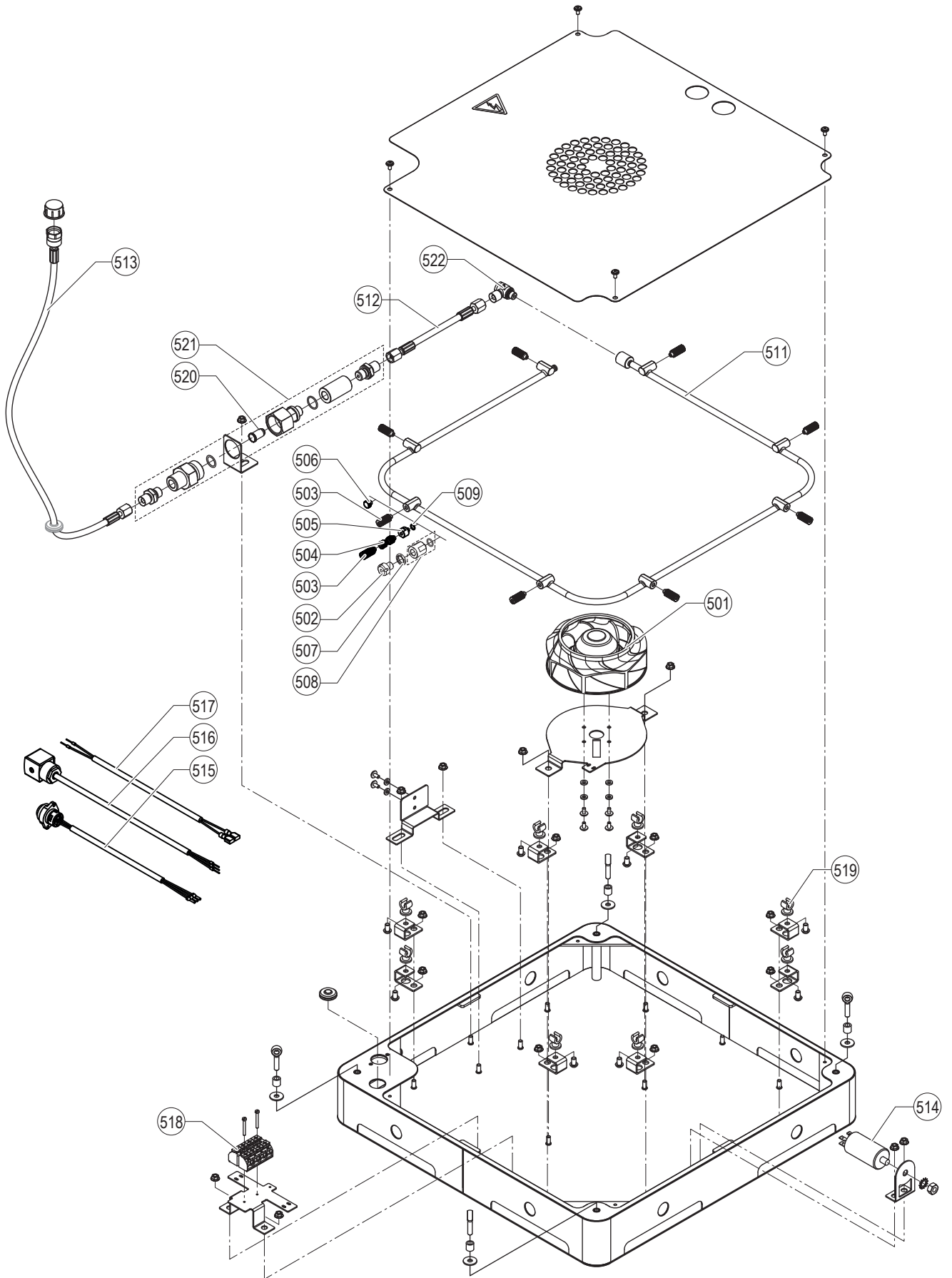
Manifold block Vita Sky T1/T2 / Bloc distributeur Vita Sky T1/T2



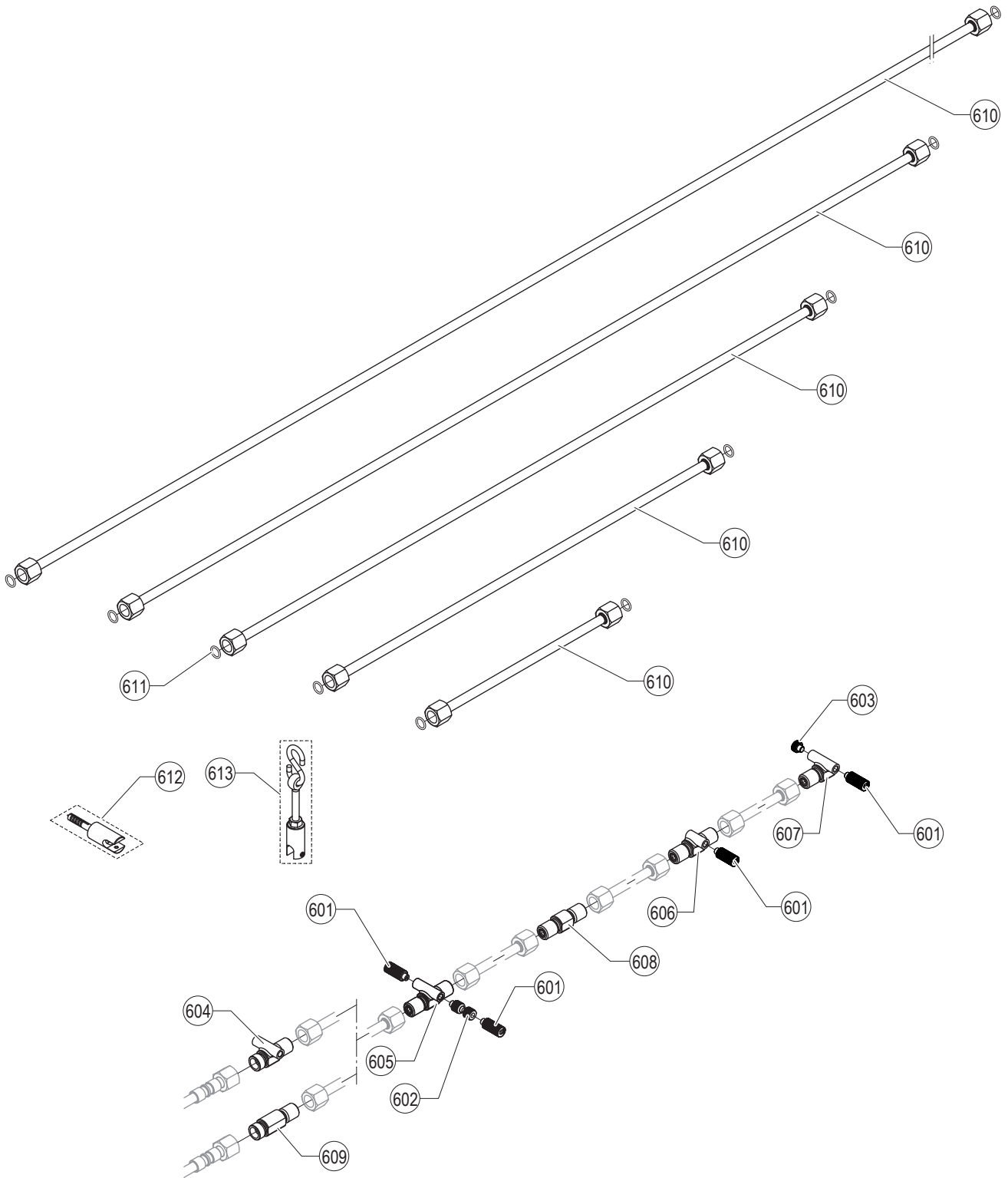
Condair Vita Stream ringline / Condair Vita Stream conduite circulaire



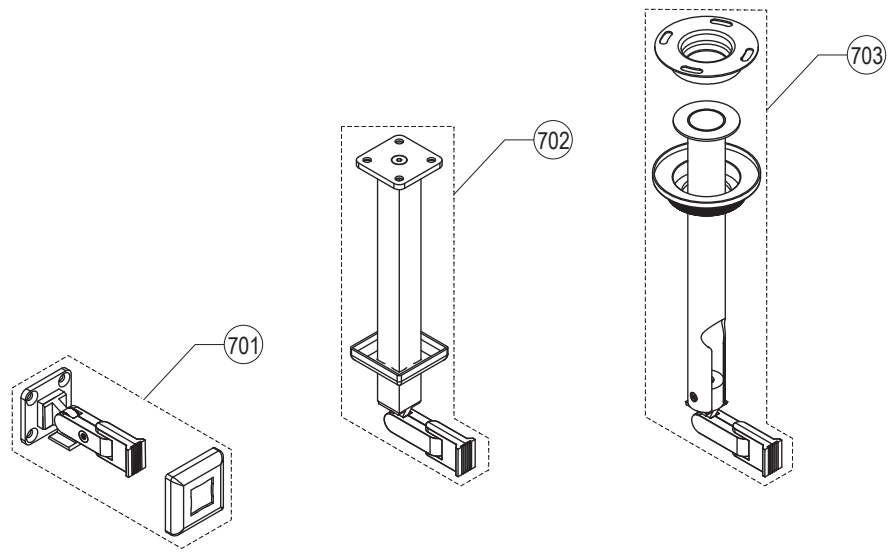
Condair Vita Stream stringline / Condair Vita Stream conduite de bras



# Condair Vita Line

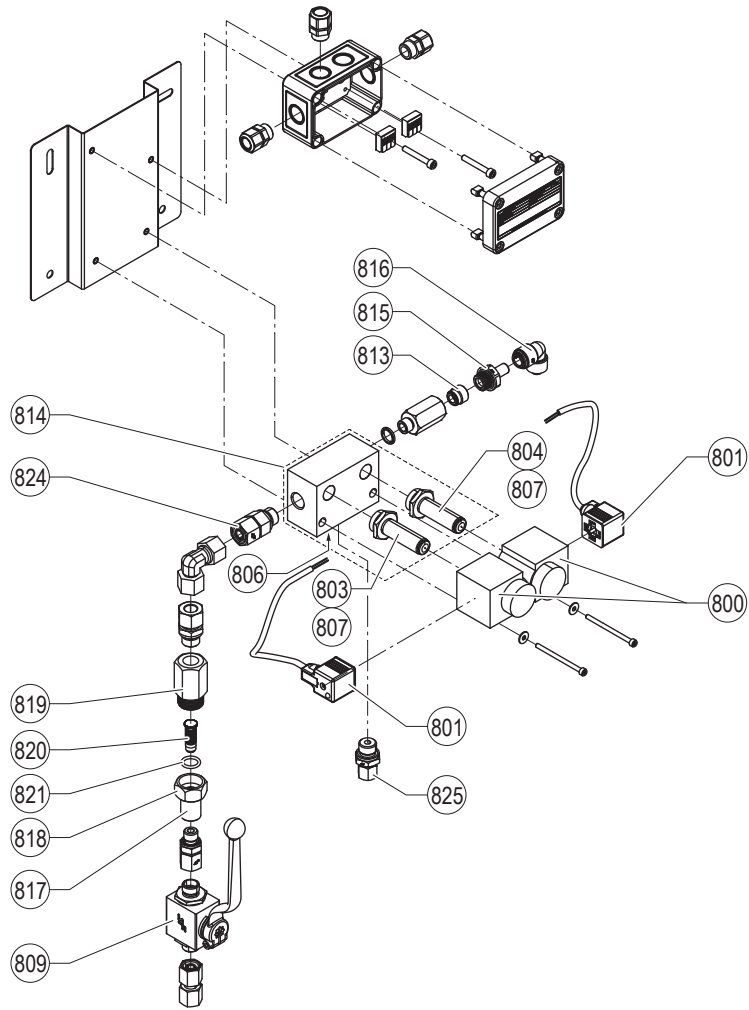


Vita Sky nebulizer supports / Supports de nébuliseur Vita Sky

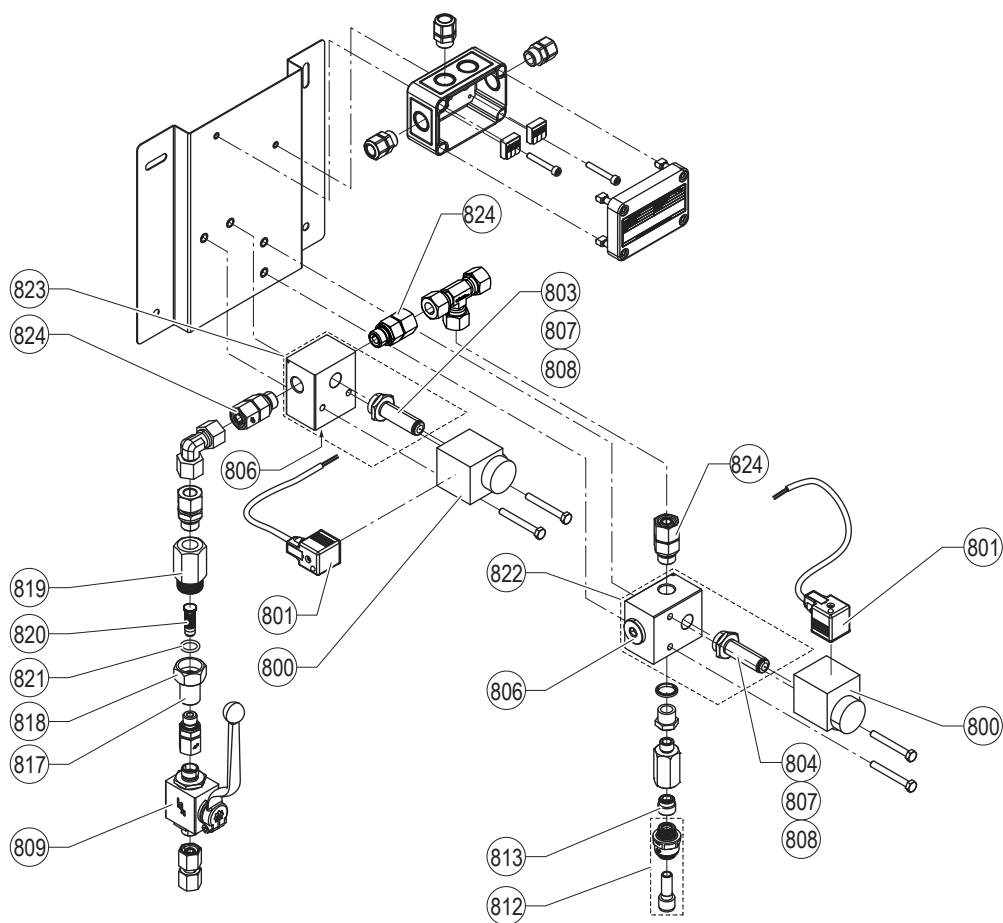




Zone valve 60 - 360 I / Vanne de zone 60 - 360 I



Zone valve 120 - 1800 I / Vanne de zone 120 - 1800 I



# Warranty

---

Condair Inc. or Condair Ltd. (depending on the entity that supplied the product, and hereinafter collectively referred to as CONDAIR) warrant for a period of two years after installation or 30 months from the manufacturer's ship date, whichever date is earlier, that CONDAIR's manufactured and assembled products, not otherwise expressly warranted, are free from defects in materials and workmanship. Notwithstanding the foregoing, the products listed below have an alternate warranty period:

- GS/GSTC Series heat exchanger(s) are warranted to be free from defects in materials and workmanship for a period of 3 years from installation or 40 months from the manufacturer's ship date, whichever is earlier.
- SAM-e Short Absorption Manifolds, except for the coupling seals, are warranted to be free from defects in materials and workmanship for a total period of 10 years from the manufacturer's ship date.
- Condair RH Connect and Condair RH Classic humidifiers are warranted to be free from defects in materials and workmanship for a period of 5 years from the manufacturer's ship date.
- Spare Parts used for repairs are warranted for the balance of the term of the warranty on the original humidifier or 90 days, whichever is longer.
- No warranty is made against corrosion, deterioration, or suitability of substituted materials used as a result of compliance with government regulations.

CONDAIR's obligations and liabilities under this warranty are limited to furnishing replacement parts to the customer, F.O.B. CONDAIR's factory. The replacement parts are warranted for the balance of the term of the warranty on the original humidifier or 90 days, whichever is longer. Procedure:

1. Customer Requests Warranty as per instructions on the CONDAIR Warranty Form.
2. CONDAIR reviews the warranty claim and will respond in one of two ways:
  - a. Warranty Accepted – Replacement Part or credit granted.
  - b. Warranty Declined – Response with justification will be provided to the customer.
3. In some cases, CONDAIR may request the part to be returned, freight prepaid by the customer, as part of the warranty acceptance or warranty determination process. Some reasons include:
  - a. Part must be analyzed to determine the root cause of failure.
  - b. Part must be returned to the supplier for claim/investigation.

When parts are requested to be returned, replacement parts will be sent by CONDAIR to the customer against an invoice from CONDAIR paid by the customer. The cost of the replacement parts will be reimbursed to the customer with a credit note after the parts are received and analyzed by CONDAIR, if the warranty is accepted.

The warranties set forth herein are in lieu of all other warranties expressed or implied by law. No liability whatsoever shall be attached to CONDAIR until said products have been paid for in full and then said liability shall be limited to the original purchase price for the product. Any further warranty, with the exception of a purchased extended warranty described below, must be in writing, and signed by an officer of CONDAIR.

CONDAIR makes no warranty and assumes no liability unless the equipment is installed in strict accordance with the installation manual in effect at the date of purchase, and by properly qualified and licensed professionals capable of installing such equipment.

CONDAIR makes no warranty and assumes no liability whatsoever for consequential damage or damage resulting directly from misapplication, incorrect sizing, or lack of proper maintenance of the equipment.

CONDAIR makes no warranty and assumes no liability whatsoever for damage to the products, humidifier, supply lines, drain lines, steam distribution systems, or the building as a whole caused by freezing.

CONDAIR reserves the right to change the design, specifications, and performance criteria of its products without notice or obligation.

## **Extended Warranty**

Extended warranties are available to purchase under the conditions listed above. Extended warranties must be purchased at the time of the original equipment order.



[www.condairparts.com](http://www.condairparts.com)

Buy authentic Condair  
parts factory direct.

Would you recommend Condair?  
Take our two question survey.



**U.S.A.**  
1021 6th Street  
Racine, WI 53403

**CANADA**  
2740 Fenton Road  
Ottawa, Ontario K1T 3T7

TEL: 1.866.667.8321  
EMAIL: [na.info@condair.com](mailto:na.info@condair.com)  
WEBSITE: [www.condair.com](http://www.condair.com)

